

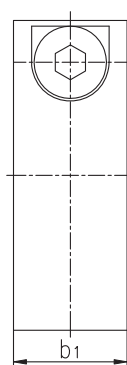
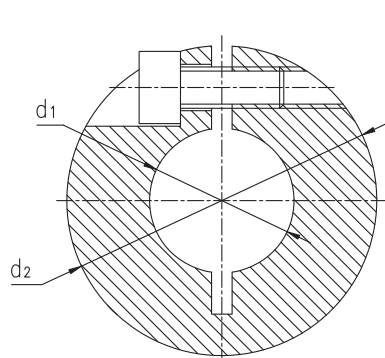
## CR01丝杆夹环，带螺纹 Lead screw clamping rings with thread



### 产品特性 Product features

- 直接与丝杆螺纹配合安装
- 配合梯形丝杆支撑客户解决方案
- 承受较高的轴向力
- 采用表面硬质氧化铝合金制成
- 带锁紧螺丝
- Ready to install in the screw
- Custom solutions for lead screw support
- Can absorb even high axial forces
- Clamping rings made from coated aluminum
- Screw included in delivery

### 标准规格 Standard specifications



产品编码 Part No.:

CR01-TR8 × 1.5R

R-右旋 Right  
L-左旋 Left  
螺纹 Thread

产品编码 Part No.	螺纹 Thread $d_1 \times P$	$d_2$ h9 [mm]	$b_1$ [mm]	最大轴向载荷 Max. axial static load [N]
CR01-TR8 × 1.5R	TR08 × 1.5	16	9	1530
CR01-TR10 × 2R	TR10 × 2	24	8	1800
CR01-TR12 × 3R	TR12 × 3	28	8	2096
CR01-TR14 × 4R	TR14 × 4	30	11	3312
CR01-TR16 × 4R	TR16 × 4	34	11	3840
CR01-TR18 × 4R	TR18 × 4	36	13	5216
CR01-TR20 × 4R	TR20 × 4	45	15	6784
CR01-TR24 × 5R	TR24 × 5	45	15	8096

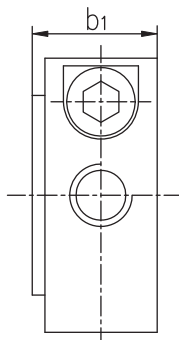
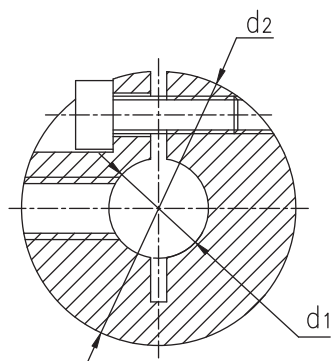
### CR02丝杆夹环，无螺纹 Lead screw clamping rings without thread



#### 产品特性 Product features

- 直接与丝杆端安装
- 承受较高的轴向力
- 采用表面硬质氧化铝合金制成
- 带锁紧螺丝
- Ready to install in the end of screw
- Can absorb even high axial forces
- Clamping rings made from coated aluminum
- Screw included in delivery

#### 标准规格 Standard specifications



产品编码 Part No.:

CR02-10

└─ 内径 Inner diameter

产品编码 Part No.	$d_1$ [mm]	$d_2$ h9 [mm]	$b_1$ [mm]
CR02-10	10	24	8
CR02-12	12	28	11
CR02-14	14	30	11
CR02-16	16	34	11
CR02-18	18	36	13
CR02-24	24	45	15